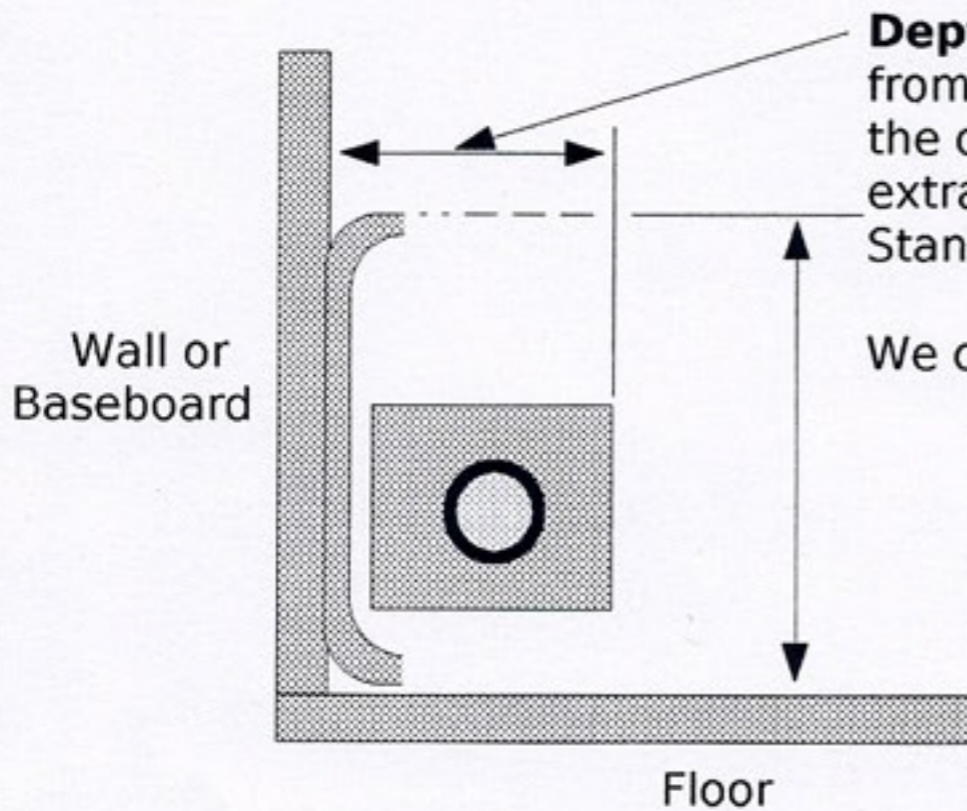


Swampy Hollow Manufacturing

Custom Steel Baseboard Covers

Measuring Instructions for our Custom Baseboard Covers

How to measure your Baseboard Heating Element



Depth= This measurement is determined by measuring from the wall to the very front of the heating element after the original face panel is removed. We recommend adding an extra 1/4" to your depth measurement to ensure a proper fit. Standard Depth Options, 4" outside w/ 3 3/8" inside clearance or 4 1/2" outside w/ 3 7/8" inside clearance. We can also do a custom depth to your specifications.

Height= This measurement is determined by measuring from the floor to the very top of the original cover after the original face panel is removed. We recommend adding an extra 1/4" to your height measurement to ensure a proper fit. Standard Height Options, 8 1/4" or 9 1/2" high. We can also do a custom height to your specifications.

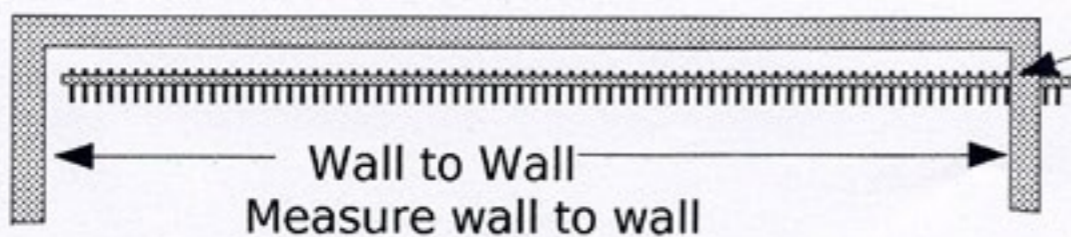
Installation Note: Wall mounting brackets are available for installation where the original enclosure is missing or the New Baseboard Cover is 1" or more higher than the the original enclosure.

How to take Length Measurements

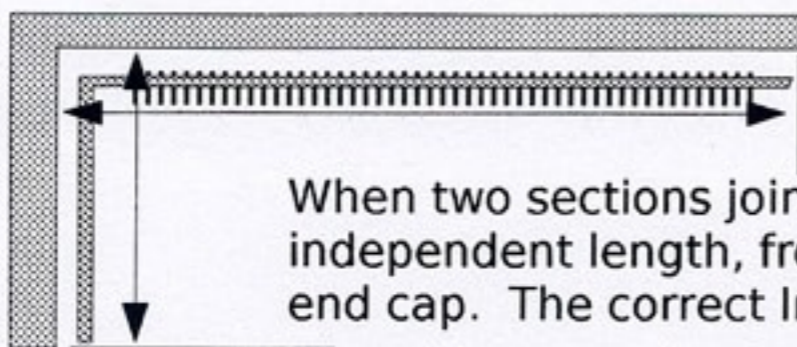
When taking length measurements each continuous straight run is considered one section.

Example: Wall to Wall, Corner to Corner, Wall to Corner, or End of Heating Element to End of Heating Element.

If base molding, door trim, etc. is involved make sure to measure at the shortest point to ensure a proper fit.

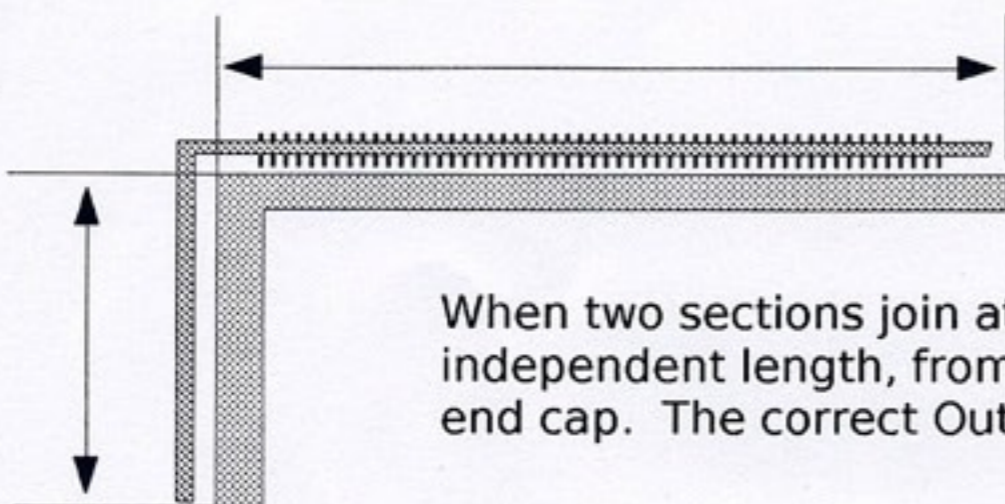


Open end caps apply when the pipe goes directly through the wall into the next room.



Inside Corners

When two sections join at an inside corner, measure each section as an independent length, from the inside wall at the corner to the far outside end cap. The correct Inside Corner Joinery will be selected to match your cover.



Outside Corners

When two sections join at an outside corner, measure each section as an independent length, from the outside of the wall at the corner to the far outside end cap. The correct Outside Corner Joinery will be selected to match your cover.

Swampy Hollow Manufacturing

2009 Price List

Custom Steel Baseboard Covers Retail Pricing Guide

Qty.	Length of Section	Components Included	Price	Total
1- Panel Section		*Please Specify Open or Closed End Cap		
	Up to 36" Length	1- Baseboard Panel + 2- End Caps	\$116.00	
	36" to 48" Length	1- Baseboard Panel + 2- End Caps	\$126.00	
	48" to 60" Length	1- Baseboard Panel + 2- End Caps	\$137.00	
	60" to 72" Length	1- Baseboard Panel + 2- End Caps	\$148.00	
	72" to 84" Length	1- Baseboard Panel + 2- End Caps	\$158.00	
	84" to 96" Length	1- Baseboard Panel + 2- End Caps	\$169.00	
2- Panel Section		*Please Specify Open or Closed End Cap		
	96" to 120" Length	2- Baseboard Panels + 2- End Caps + 1- Splice Plate	\$274.00	
	120" to 144" Length	2- Baseboard Panels + 2- End Caps + 1- Splice Plate	\$296.00	
	144" to 168" Length	2- Baseboard Panels + 2- End Caps + 1- Splice Plate	\$316.00	
	168" to 192" Length	2- Baseboard Panels + 2- End Caps + 1- Splice Plate	\$338.00	
3- Panel Section		*Please Specify Open or Closed End Cap		
	192" to 216" Length	3- Baseboard Panels + 2- End Caps + 2- Splice Plates	\$444.00	
	216" to 252" Length	3- Baseboard Panels + 2- End Caps + 2- Splice Plates	\$474.00	
	252" to 288" Length	3- Baseboard Panels + 2- End Caps + 2- Splice Plates	\$507.00	
4- Panel Section		*Please Specify Open or Closed End Cap		
	288" to 336" Length	4- Baseboard Panels + 2- End Caps + 3- Splice Plates	\$632.00	
	336" to 384" Length	4- Baseboard Panels + 2- End Caps + 3- Splice Plates	\$676.00	

Installation Note: Wall mounting brackets are available for installation where the original enclosure is missing or the New Baseboard Cover is 1" or more higher than the the original enclosure.

*Open End Caps are needed when the plumbing continues thru an intersecting wall that the New Baseboard Cover will butt against.

Standard Heights are 9 1/2" or 8 1/4" high.

Standard Depths are 4 1/2" or 4" deep outside measurement. Inside Depth is 3 7/8" or 3 3/8"

For all height & depth that are not the standard sizes add per each component. **\$6.00**

This includes all height & depth up to 12" high & 6" deep

All other special shapes and sizes not listed above, Please call for a pricing estimate.

Replacement Parts

	<u>Retail</u>
90 degree Outside Corner	\$28.00
90 degree Inside Corner	\$28.00
**End Cap	\$23.00
Splice Plate	\$23.00

****Specify Right or Left End Cap or Open End Cap as needed.**

Standard Colors: Gloss White, Matte White, Light Alabaster, Alabaster

*Standard Joinery Options

End Caps
Open End Caps
Splice Plate
90 degree Outside Corner
90 degree Inside Corner

***End Caps & Splice Plate included in Baseboard Cover Pricing**

Can use Open End Caps or 90 degree corners instead of Regular End Caps at no extra charge.

***Custom Joinery Options

Non 90 degree Corners
Bay Window Corners
End Caps w/ Valve Access Lid
*****Call for Pricing**

Order Form, Welded Units

Order#

Swampy Hollow Mfg.
231 Maple St
Honey Brook PA. 19344

PH# 610-273-0157
 FAX# 610-273-3169
 www.swampyhollow.com

Custom Steel

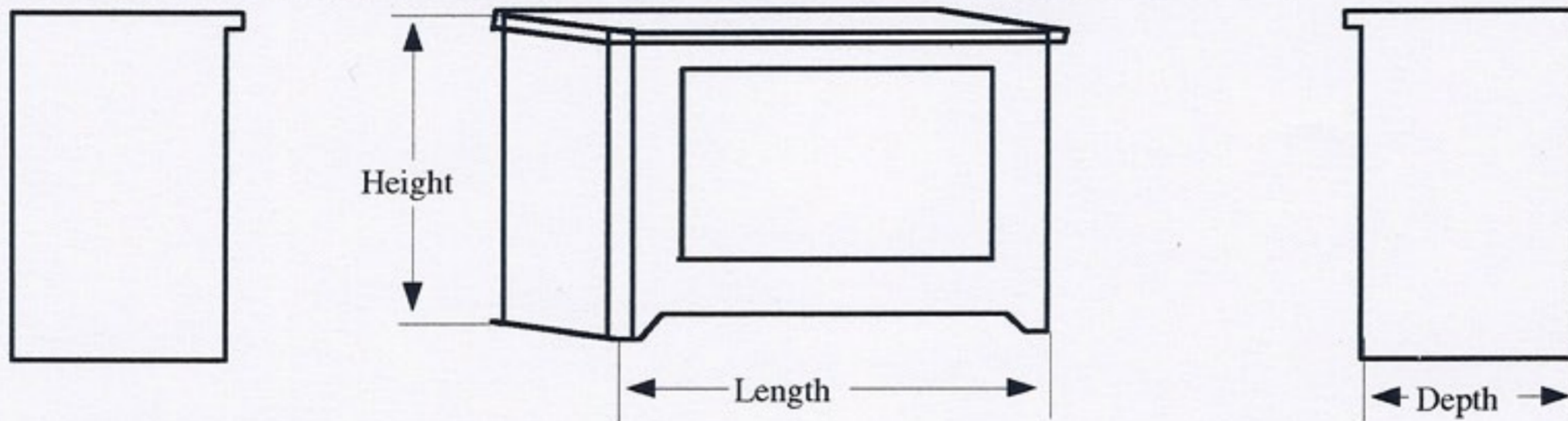
Radiator & Baseboard Covers

Factory welded & fully assembled units

Dealer Name, _____
 Address _____

Phone# _____

Factory use only
 Form Identification#



Please MAKE SURE of your sizes.

Swampy Hollow Radiator & Baseboard Covers are special ordered for you and are not returnable.

Customer Name & Location	Height	Depth	Length	Grill Type	Color	*Notes
1						
2						
3						
4						
5						
6						
7						
8						
9						
10						
11						
12						
13						
14						
15						

*Use a separate sheet for any additional notes or cutout measurements.